



Congratulations!

Thank you for choosing **Sherwoodbase Cuboid Hummingbird Feeder**. You will find a lot of helpful information in this guideline.

*“Be patient and don’t give up! I guarantee this feeder will work! Just don’t scare them away with noises and try not to be too excited at your first encounter!” —
Daphne T. from California Bay Area.*

Contact Us

Please visit our website for more discount coupons:

<http://cuboid.sherwoodbase.biz>

We always welcome our customers' comments and we are waiting for you to share your stories about attracting the hummingbirds. Please like our Facebook page:

<https://www.facebook.com/sherwoodbase>

You can also contact us by email:

Support@Sherwoodbase.biz

If You Are Not Satisfied With Cuboid...

Please contact us at Support@Sherwoodbase.biz, instead of giving us a bad review or requesting refund! You may just be unlucky to have received one that is defective or you may need some advice from our team! Please let our support team assist you!

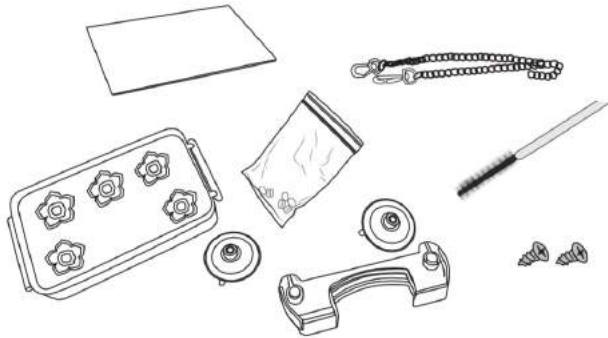
Life Time Warranty:

Contact us if your Cuboid is damaged during shipment or **first-time installation!** It is **all on us** including shipping and **we are the only brand who promises this service!**

Features:

- Unique two-way easy-to-clean and up close hanging styles!
 - o Using the hook to hang the feeder to a hanger or tree, or
 - o Using the suction cup to attach the feeder to a window
- Built-in ant moat and bee guards to stop insects!
- Well-designed, sturdy perch for hummingbirds to rest on
- Detachable lid for easy cleaning and refills
- Comes with free brush for feeding ports cleaning

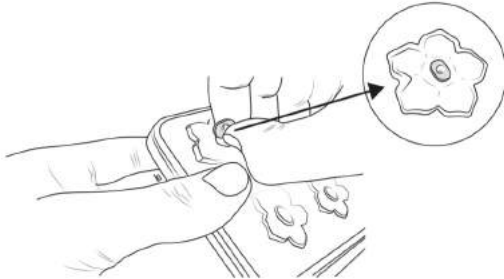
Item list:



- 1 X Instruction for installation and user guide
- 1 X Cuboid Hummingbird Feeder main body with ant moat
- 2 X Suction cup
- 2 X Screws for suction bar installation, plus one extra for spare
- 5 X Red bee guard
- 1 X Suction cup bar
- 1 X Clamping clips with hook pre-installed
- 1 X Cleaning brush

Installation Using the Window Mounting Style:

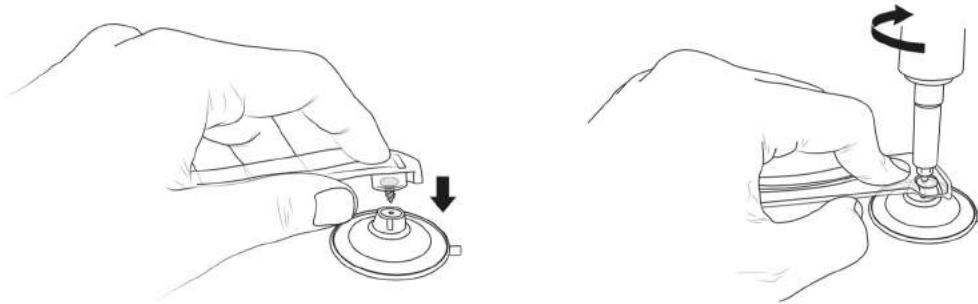
- Clean both sides of window thoroughly before installation.
- Put the bee guards into the feeding holes if flying insects are a problem



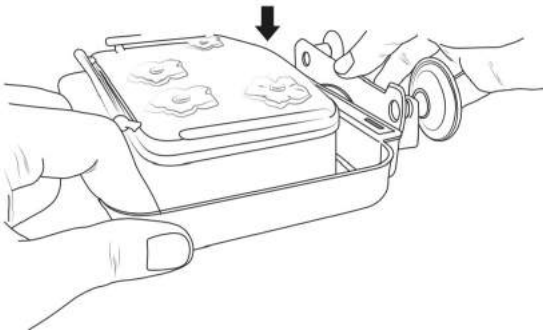
- Put a screw into suction bar's screw hole



- Put the suction cup on a flat platform and use the cross-head screwdriver to put a screw into the suction. You can force the screw in to make sure it is tight enough to hold the feeder body. Repeat for another side.



- Test to make sure the suction bar can hold the feeder steadily



- Install the suction bar only by moisturizing the suction cups with only **one** drop of water each. The point is to help strengthen the stickiness between the suction cups and the window.

- Plan the placement well before installing the bird feeder (should be 1/3 from the top of the window frame) and gently push the suction cups outward during installation.
- Fill about 8 oz. of nectar into the feeder container, followed by hooking the feeder onto the suction bar.

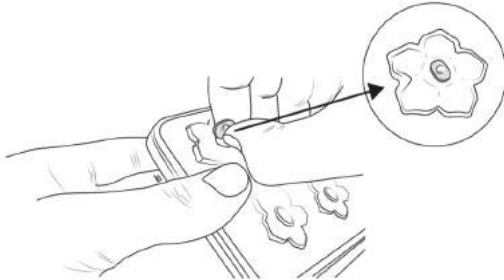


- Fill the ant moat with water if crawling insects are a problem.

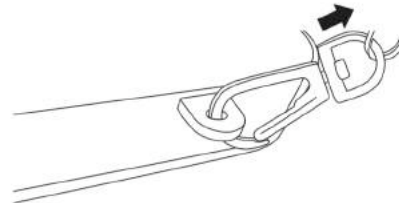
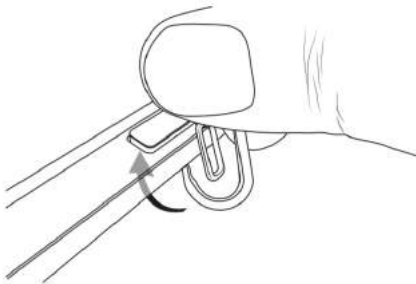


Installation Using the Hanging Style:

- Put the bee guards into the feeding holes if flying insects are a problem



- Install four of the small clamps to each of the small holes around the feeder.



- Place the feeder carefully on a flat surface. Fill 8 oz. of nectar into the feeder container.



- Find a balance point that can make the center of the bigger hook hanging without losing balance.

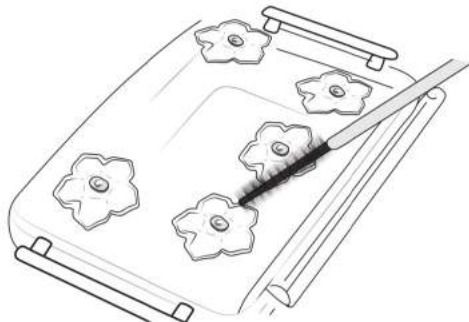


- Hang the bigger hook onto a tree or a bigger hooker. Fill the ant moat with water if crawling insects are a problem.



Maintenance:

Use the brush that comes with the feeder to clean the feeding holes





How to Refill the Cuboid Hummingbird Feeder:

1. Take off the Cuboid feeder container from the suction bar or from the hanging hook.
2. Place the feeder on a flat surface and snap off the lid.
3. Fill in nectar to about $\frac{3}{4}$ full, around 8 oz.
4. Do not fill too much nectar or it will spill out when the feeder is placed.
5. Snap back the cover and hang the feeder back to the suction bar or hanger.
6. Please refer back to the above guidelines for details.

Nectar Mixture Suggestion:

- Buy from places like Amazon or birds/pets stores, or
- Add 1 part (~one spoon) to four parts of table sugar to hot but not boiling tap water. Only serve the nectar with room temperature.

Be Patient, be Cautious, and be Entertained:

- Depends on the location and season, it will take a couple days or up to a week for the birds to recognize this new playground! Once they find it, they will use it throughout the sunny days!
- In order to allow the hummingbirds to get used to this new feeder, you may consider to temporarily remove any existing hummingbird feeders.
- Once the birds begin to use the feeder, please keep a good habitant for them by cleaning the feeder and refilling the tray regularly.
- Kids, pets, or even grandparents should all benefit to this new entertainment! These beautiful, lovely creatures are here to show you that we should always cherish the nature.



Maintain the Cuboid Hummingbird Feeder:

- Clean the Cuboid Hummingbird Feeder at least twice a week.
- Change the nectar every 3 to 4 days and leftover should be thrown away every time before refill.
- Monitor the nectar level after first time installation and get an idea about how much time the feeder may be emptied by the hummingbirds or dried out by the sun.
- Leaving the nectar out too long not only will sour the nectar but also scare the sensitive hummingbirds away, or might even get them sick if they eat the spoiled nectar!
- Use the brush that comes with the feeder to clean every feeding part thoroughly.

Tips About Picking the Location, Attract Only Hummingbirds But Not Insects:

- Cuboid is designed to be either attached to the window or hung on a tree, plant or hooker.
- Built-in ant moat should be able to block most of all crawling insects. Cuboid's cubic shaped design also makes it more attractive to the hummingbirds, but not flying birds or insects like bees or flies.
- Place the feeder close to trees, bushes, or flowering plants. We recommend a place that has shades, that is away from the rain, sun or wind, and that can protect the hummingbirds and preserve the nectar.
- You can plant nectar-producing flowers that will also help attract hummingbirds to your feeder.
- Hang Cuboid at least 20 feet from your other seed feeders such as song bird feeder. Hummingbirds are very territorial and may attempt to drive off your seed-feeding birds.
- Slightly rotate the tips of the suction cups outward to the top edge of the window when taking the cups off for cleaning.